



PT2X BV

BAROMETRIC/VACUUM SENSOR WITH DATA LOGGING



FEATURES

- RS485/RS232 interface
- Pressure, temperature & time
- 130,000+ records / non-volatile
- MODBUS[®] protocol for RTU & PLC applications
- Easy export to spreadsheets & databases
- Two versions:
 - Weatherproof box
 - 316 Stainless steel tube (with NPT option)

DESCRIPTION

Available in either a weatherproof box or 316 stainless steel tube, INW's PT2X BV is a 0 - 16 PSIA (110 kpa) barometric/vacuum smart sensor, built on on the PT2X smart pressure/temperature sensor platform. The tubular version is available with either a standard end cone for submersible applications or a 1/4" NPT end cone for pressure measurements in pipe applications.

OPERATION

The PT2X BV is powered internally with two AA batteries or with an auxiliary power supply for data intensive applications. INW offers alkaline, rechargeable, and other auxiliary power systems. At the rate of four measurements per hour, the unit will run for a year on its internal AA batteries.

The PT2X BV comes with powerful, easy-to-use, Windows[®]-based Aqua4Plus software, affording the user extensive control, including real time monitoring, flexible programming, easy field calibration, and a delayed start feature. Aqua4Palm is available for Palm[®]-based handhelds, allowing the user to create test sessions, examine data, and monitor real time readings with the convenience and portability of a PDA.



APPLICATIONS

- Barometrically compensate absolute pressure sensors for level measurement.
- Measure vacuum pressure during vapor extraction pilot testing.
- Supplement aquifer test data in leaky or confined conditions.



**Instrumentation
Northwest, Inc.**

1-800-776-9355
<http://www.inwusa.com>



PT2X BV

BAROMETRIC/VACUUM SENSOR

HOW TO ORDER

- Choose sensor with desired housing.
- Determine cable type and specify length, if appropriate.
- Select options. (Contact INW for a full list of accessories.)

PT2X BV			
<i>In weatherproof box</i>			
3C900	16 PSIA		
<i>In stainless steel tube (set screw version) 0.84" diameter</i>			
3C901	16 PSIA with cable		
3C902	16 PSIA cableless		
<i>In stainless steel tube (twist open version) 0.75" diameter</i>			
3C901T	16 PSIA with cable		
3C902T	16 PSIA cableless		
PT2X CABLE OPTIONS			
6E540	Vented PU INW Label		
6E543	Vented FEP INW Label		
6E542	Vented HDPE		
PT2X MISCELLANEOUS OPTIONS			
6E410	1/4"NPT adapter	3B835	Interface cable
6E517	Cable strain relief kit	3B830	RS485/RS232 adapter
3P902	2" well seal adapter	3P904	4" well seal adapter
3B847	Communication kit (RS485/RS232 adapter, Interface cable, Aqua4Plus Software Media Kit)		
AQUA4PALM KIT - HANDHELD CONTROLLER			
6D150	Aqua4Palm Kit with Palm®		
6D151	Aqua4Palm Kit w/o Palm®		

Information in this document is subject to change without notice.

DIMENSIONS & SPECIFICATIONS

MECHANICAL

WEATHERPROOF BOX

Enclosure Material	ABS - IP66/67
Dimensions (box)	4.3" x 3.1" x 2.5"
Dimensions (incl connectors)	4.3" x 3.6" x 2.5"
Wire Seal Materials	Fluorocarbon and Buna N
Desiccant	High- and standard-capacity packs

TRANSMITTER

Body Material	316 stainless steel
Dimensions (tube)	10.750" x 0.840" diameter
Wire Seal Materials	Viton® and Teflon®
Desiccant	High- and standard- capacity packs
Terminating Connector	Available
Weight	.80 lbs.

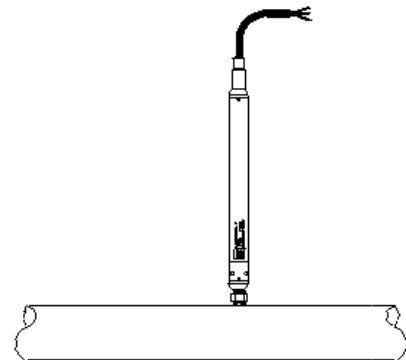
CABLE

OD	0.28" maximum
Break Strength	138 lbs.
Maximum Length	2000 feet
Weight	4 lbs. per 100 feet

ELECTRICAL

PRESSURE

Static Accuracy (B.F.S.L. 25° C)*	±0.1% FSO (maximum) ±0.06% FSO (typical)
Temperature Error (reference 25° C)	±0.5% FSO (maximum) ±0.25% FSO (typical)
Maximum Zero Offset at 25° C	±0.25% FSO
Resolution	16 bit
Over Range Protection	2x



NPT Installation Option

Instrumentation Northwest, Inc.



Sales and Service Locations

8902 122nd Avenue NE, Kirkland • Washington 98033 USA
 (425) 822-4434 • (425) 822-8384 FAX • info@inwusa.com
 4620 Northgate Boulevard, Suite 170 • Sacramento, California 95834
 (916) 922-2900 • (916) 648-7766 FAX • inwsw@inwusa.com

Doc# 6D00166 09/07