

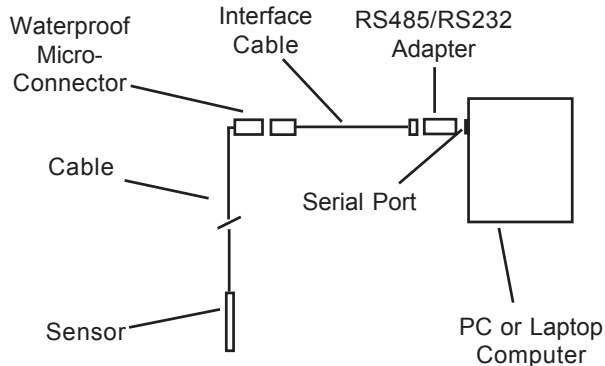


Getting Started Guide

AquiStar® Smart Sensor & Aqua4Plus Host Software

Connecting the Sensor to a Computer

In its standard configuration, the Smart Sensor cable is terminated with a waterproof micro-connector. Connect this to your PC or laptop serial port via the interface cable and an RS485/RS232 adapter, as shown below.

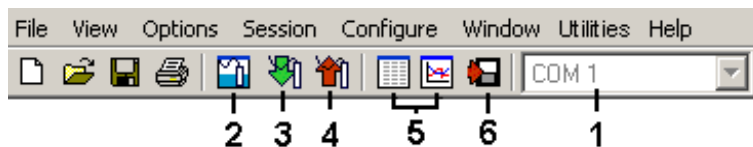


Installing the Aqua4Plus Software

1. Insert the Aqua4Plus CD in the CDRom drive on your PC or laptop. Installation should start automatically. If not, then follow steps 2 and 3. Otherwise, skip to step 4.
2. Click the Start button and select Run.
3. Type D:\setup.exe, where D: is the drive letter for your CDRom drive.
4. The Installation program will guide you through the installation process.

To start the Aqua4Plus software, use the Start Menu to navigate to the program group you selected during installation (typically this will be Aqua4Plus), and then click the Aqua4Plus icon.

Getting Started with Aqua4Plus in 6 Easy Steps

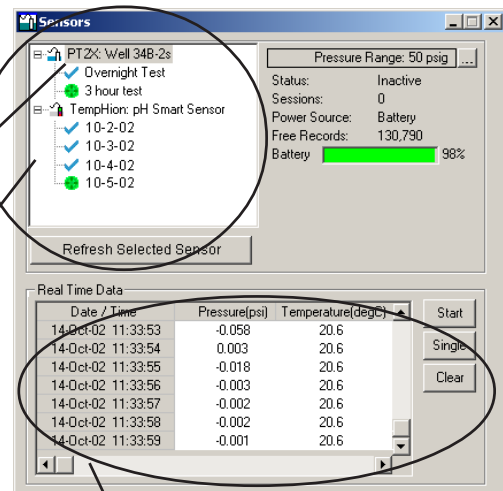


1 - Selecting a Comm Port

Select the com port to which your sensor is connected. (See manual if using radio or modem connections.)

2 - Selecting a Sensor

- Open the Sensor Window by clicking the tool button. A list of connected sensors will appear on the Sensor Map.
- On the Sensor Map, click on desired sensor. Information regarding the selected sensor will display in the Sensor Information Panel to the right of the Sensor Map.
- Click the + next to the desired sensor on the Sensor Tree. A list of data sessions stored in the sensor will display in the Sensor Tree below the selected sensor.



Sensor Window

3 - Creating a Session

Before you can collect data in the logger, you must create a Session Profile, which describes the type and duration of records to record.

- Start a new session: Click the tool button. A Session Profile Window will open.
- Name your session: Enter a name in the Session ID box, or leave as is to accept the default name.

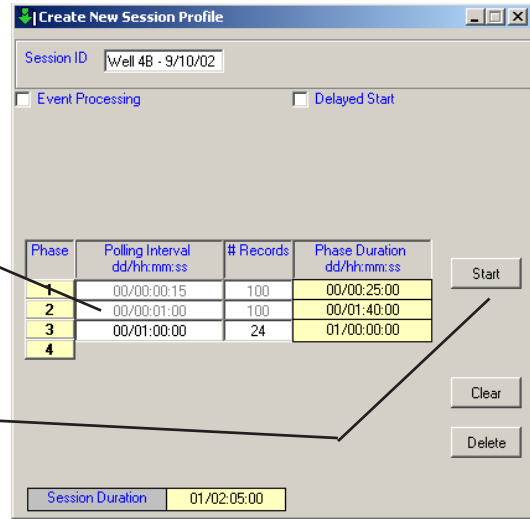
Real Time Monitor

Use this to view live readings from the sensor that is selected on the Sensor Map. These readings are not being recorded in the sensor, but only being displayed for viewing.

- Click *Single* to get a single reading.
- Click *Start* to get a reading once a second.
- Click *Stop* to stop the reading.

- Describe a test phase:
 - Click the number at the beginning of the test phase.
 - Use the **Tab** key on the keyboard to move to the sample interval column, and enter your sample interval for this phase as dd/hh:mm:ss.
 - Enter the number of samples to record at this sampling interval, then press the **Tab** key. You will automatically move to the next phase's sampling interval field.
 - Continue entering phases as above.
- Start the test: Click the Start button.

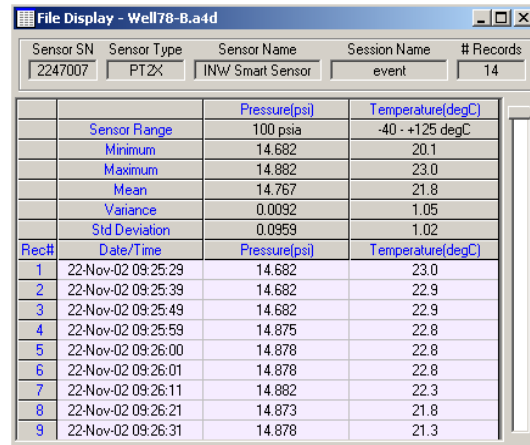
(See manual for details on Event Processing and Delayed Start features.)



Session Profile Window

4 - Retrieving Data from the Sensor/Datalogger

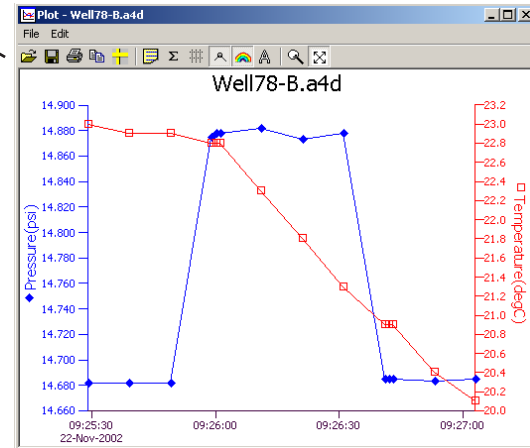
- Click on the session you want to upload.
- Click the tool button.
- Select a file location and enter a name for the file.
- Select a file type (see manual for details).
- Click Save.
- Click Start.



File Display Window

5 - Viewing Data

- Click the tool button to view data as a table.
- Click the tool button to view data as a graph.
- Navigate to the desired file, then click the Open button. (If the File Open box does not appear, click the File Menu, then select Open.



Graph Window

6 - Exporting Data to .csv or .xls Files

- Using the File Display window, open the file you want to export.
- Click on the tool button.
- Select a file location and enter a name for the file.
- Select a file type (see manual for details).
- Click Save.

Options Menu

- Units - Use this option to select display units.
- Default Folder - Select a default folder location for data and profile files.

Configuration Menu

- Sensor Clock
- Field Calibration
- Sensor Address
- Sensor Description
- Erase All Sessions
- Advanced

See manual for details.

Instrumentation Northwest, Inc.

1-800-776-9355

www.inwusa.com

8902 122nd Avenue NE, Kirkland • Washington 98033 USA
(425) 822-4434 • (425) 822-8384 FAX • info@inwusa.com

4620 Northgate Boulevard, Suite 170 • Sacramento, California 95834
(916) 922-2900 • (916) 648-7766 FAX • inwsw@inwusa.com